

# Installation and Safety Instructions

## Outdoor Table Light

### Safety Warnings

These instructions are for your safety. Please read through them thoroughly before use and retain them for future reference. If you are in any doubt about installing this product, consult a qualified electrician.

This product is rated IP44 (definition e.g. splash proof / rain proof etc).

Under no circumstances must this lamp be covered with any material as this could pose a safety hazard. This product is not suitable for persons under 14 years of age.

The battery must not be opened, destroyed or incinerated. In the unlikely event that the battery needs replacing - only use a battery of the same type and specification.

This product may contain delicate parts – be careful during handling and maintenance to avoid breakage.

This lamp has a touch button, touch this button to turn on. Touch again to make it brighter, brightest, and then off again.

Never put anything on the product or hang anything on any part of this product.

Waste electrical products should not be disposed of with household waste. Please recycle where facilities exist. Check with your Local Authority or local store for recycling advice.

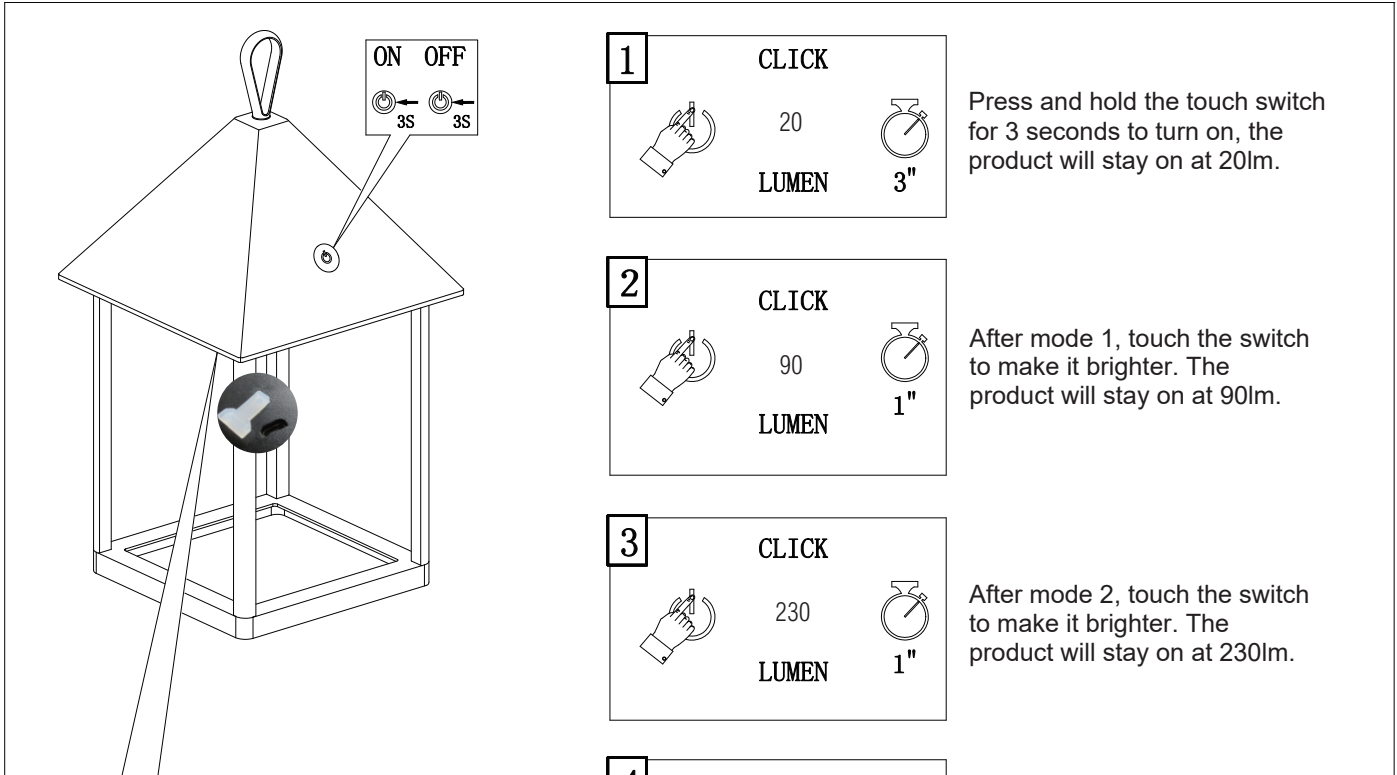
### Care and maintenance

Clean with a dry cloth only. Do not use liquid or abrasive cleaners on this product.

### Troubleshooting

**If you have any doubt about installation/use of this product, consult a qualified electrician.**

# Assembly Instructions



**1** CLICK  
20 LUMEN 3"

Press and hold the touch switch for 3 seconds to turn on, the product will stay on at 20lm.

**2** CLICK  
90 LUMEN 1"

After mode 1, touch the switch to make it brighter. The product will stay on at 90lm.

**3** CLICK  
230 LUMEN 1"

After mode 2, touch the switch to make it brighter. The product will stay on at 230lm.

**4** CLICK  
OFF 3"

Press and hold the touch switch for 3 seconds to turn it off.

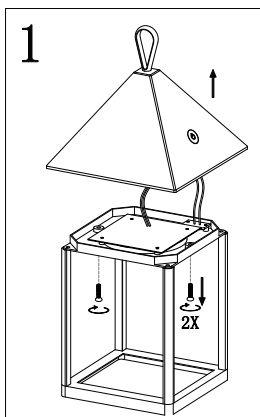
**1M** USB

not supplied

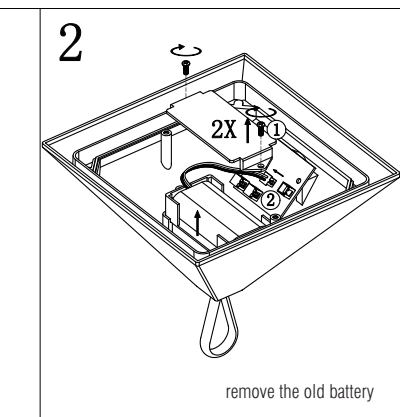
This product can be charged using the supplied USB cable. Please note - this cable is for charging the product, not to charge other items.  
USB Charge Time - 5 -7hrs

## Battery Replacement

**1**

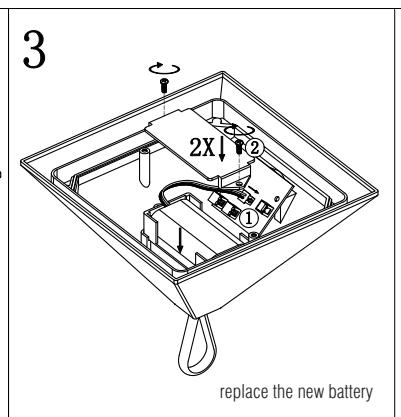


**2**



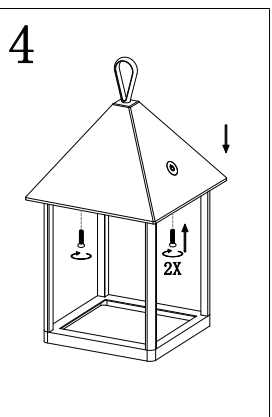
remove the old battery

**3**



replace the new battery

**4**





- (EN) Scan QR code for multi-language
- (FR) Scannez le code QR pour plusieurs langues
- (ES) Escanee el código QR para varios idiomas
- (PL) Zeskanuj kod QR dla wielu języków
- (DE) Scannen Sie den QR-Code nach mehreren Sprachen
- (IT) Scansiona il codice QR per multilingua



UK Manufacturer: BH17 7BY  
EU Manufacturer: 1 Gnarrenburg, 27442