

Installation and Safety Instructions

Outdoor Post Light Fitting

Safety Warnings

- This product is only suitable for connection to 240V~50Hz supply. It is recommended that this light is installed by a qualified electrician in accordance with current IEE Wiring Regulations and local Building Regulations
- Before installing your light fitting always switch off the mains supply and remove the appropriate fuse or switch off the appropriate circuit breaker before commencing installation.
- **This is a Class I fitting, and must be connected to Earth.** The terminal blocks are supplied according to requirements of the fitting.
- Run supply wire from a 5-amp electrical supply using double insulated 3-core cable of type H05RN-F 1.0mm² (not supplied) to selected site, ensuring it is adequately protected through the full length of the cable run, it must come out of the flat surface of the mounting surface in line with the entry to the fitting.
- Except where installed in a conduit or duct, which provides equivalent protection against mechanical damage, a cable buried in the ground shall incorporate an earthed armour or metal sheath or both, suitable for use as a protective conductor, or be of insulated concentric construction. Buried cables shall be marked by cable covers or a suitable marking tape. Buried conduits and ducts shall be suitably identified. Buried cables, conduits and ducts shall be at a sufficient depth to avoid being damaged by any reasonably foreseeable disturbance of the ground.
- Never fit bulbs of a higher wattage than those specified on the label (as these may cause overheating and damage the fitting).
- This product contains delicate parts. Take care during installation and maintenance to avoid breakages
- If you are in any doubt about your competence please consult a qualified electrician.
- If any modification is made it will invalidate the warranty and may render the product unsafe.
- This product must only be mounted onto a concrete base or paving slab. It must **NOT** be installed on soil.

Care Information

Allow 10 minutes to cool before replacing, adjusting or cleaning.

Clean with a dry cloth only. Do not use liquid or abrasive cleaners on this product.

Assembly/ User Instructions

Before you start

Please read these instructions carefully before fitting and retain for reference. Check the packaging and make sure that you have all the required parts. Follow each assembly step in order to prevent incorrect assembly. Ensure that the product is fully assembled as illustrated before use.

Please note - This instruction covers multiple fitting styles. While the assembly steps are the same, your product may vary from the diagram.

The Light pack contains:

Light fitting.
Terminal connection block(s).
Fixing pack.
6 or 18 x Glass panels

The following tools may be required:

Selection of cross and flat head screwdrivers.
Electric drill and assorted drill bits.
Wire strippers.
Electrical insulation tape.

These assembly diagrams are intended as a guide – if in doubt consult a qualified electrician.

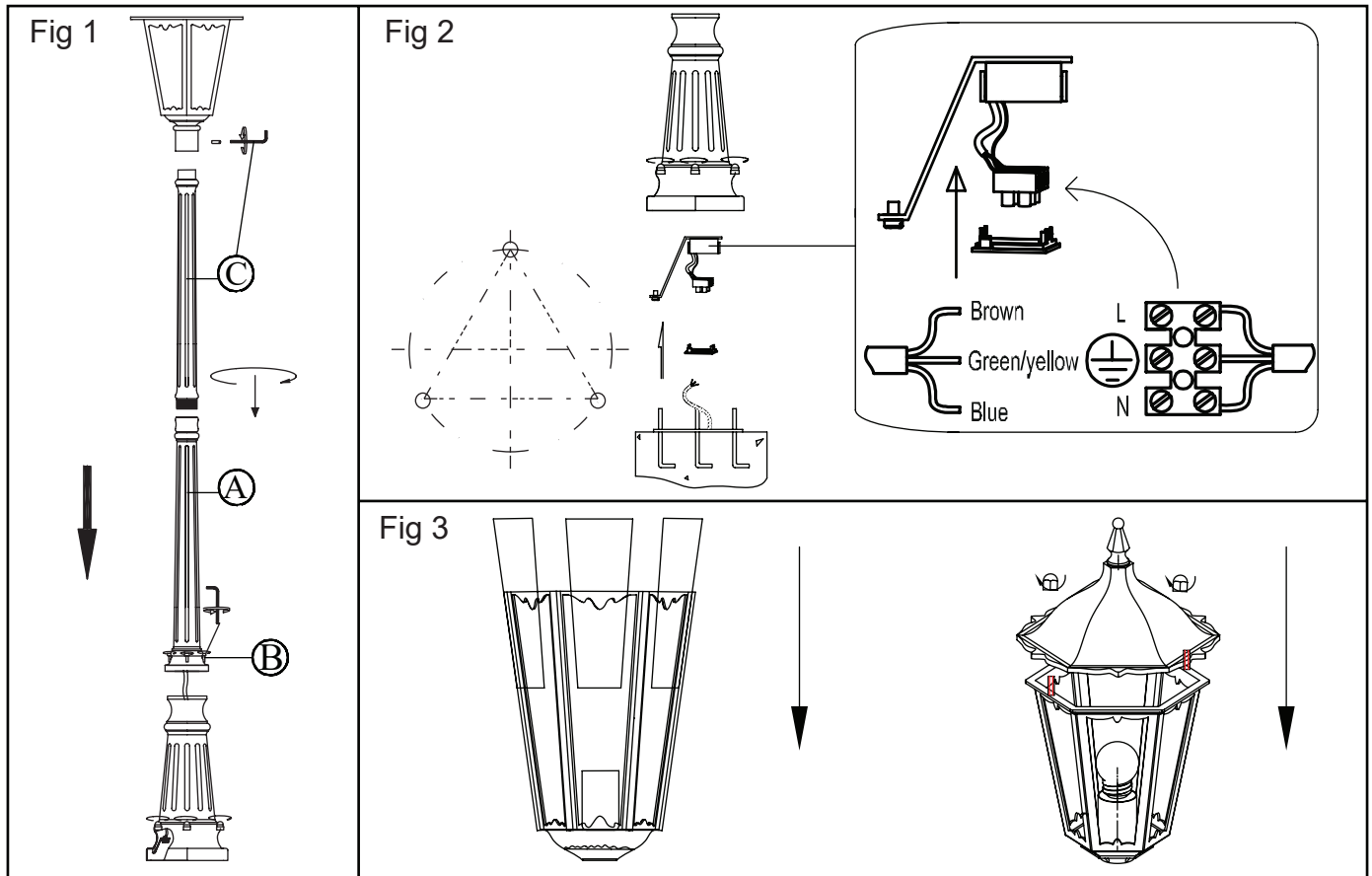
1. Decide on the position of the light fitting, or remove existing light fitting. Take a note of the position of the electrical connections. Ensure there is a solid mounting surface - do not install on soil.
2. Run cable (not supplied) from mains electrical supply to selected site, ensuring it is adequately protected through the full length of the cable run.



UK Manufacturer: BH17 7BY
EU Manufacturer: Brilliant AG,
Brilliantstrasse 1, D-27442 Gnarrenburg

Assembly/ User Instructions Continued

3. Except where installed in a conduit or duct which provides equivalent protection against mechanical damage, a cable buried in the ground shall incorporate an earthed armour or metal sheath or both, suitable for use as a protective conductor, or be of insulated concentric construction. Buried cables shall be marked by cable covers or a suitable marking tape. Buried conduits and ducts shall be suitably identified. Buried cables, conduits and ducts shall be at a sufficient depth to avoid being damaged by any reasonably foreseeable disturbance of the ground.
4. The product must be mounted onto a concrete base or paving slab. It should not be directly installed in the soil.
5. Position the supplied fixing bolts as shown in Fig. 2. Use the base of the unit for alignment.
6. Position the conduit or plastic trunking so that the cable comes up the centre point of the bollard. Ensure that the cables do not snag.
7. Double check that the fixings line up with the holes in the base of the fitting before concreting into position, and allow to set.
8. Thread the cable through the unit, screwing it together as you go, as outlined in Figure 1. Secure the lower post section A to the base using the Allen key provided (B). Repeat until the upper post section (C) is secured.
9. Connect the house wiring to the terminal block (Fig 2.). Remove the terminal bracket from the base. Remove the terminal block box lid. Connect the mains supply. Replace terminal block box lid. Replace terminal bracket onto base. **NOTE: This is a Class I fitting and must be earthed.** Check the seal, use sealant if required.
10. Fit the glass pieces into their slots in the frame (Fig. 3).
11. Fit the bulb (not supplied) into the lamp holder. **NOTE: Never fit a bulb of a higher wattage than that specified on the label (as this may cause overheating and damage the fitting).**
12. Refit the lid . Turn on the power and test.



- (EN) Scan QR code for multi-language
- (FR) Scannez le code QR pour plusieurs langues
- (ES) Escanee el código QR para varios idiomas
- (PL) Zeskanuj kod QR dla wielu języków
- (DE) Scannen Sie den QR-Code nach mehreren Sprachen
- (IT) Scansiona il codice QR per multilingua