


Wall Light

INSTRUCTION MANUAL

Safety Warnings

- This product is only suitable for connection to a 220-240V~ 50Hz supply in accordance with current IEE wiring regulations, It is for indoor use only, and is not suitable for a bathroom location.
- This fitting is a Class II, Double Insulated product  and does not require an Earth. Live or Neutral must not be connected to Earth.
- Do not plug into the mains until your lamp is fully assembled.
- Never fit bulbs of a higher wattage than those specified on the label, as these may damage the fitting.
- The lamp must be protected by a 3 amp fuse in the mains plug.
- If the mains cable becomes damaged it must only be replaced by a technically competent, qualified person.
- If you are in any doubt about your competence please consult a qualified electrician.
- This product contains delicate parts – take care during handling and maintenance to avoid breakage.
- If any modification is made it will invalidate the warranty and may render the product unsafe

Care Information

Allow 10 minutes to cool before replacing, adjusting or cleaning.

Clean with a dry cloth only. Do not use liquid or abrasive cleaners on this product.

Assembly/ User Instructions

Before you start

Please read these instructions carefully before fitting and retain for reference. Check the packaging and make sure that you have all the required parts. Follow each assembly step in order to prevent incorrect assembly.

Ensure that the product is fully assembled as illustrated before use.

The Light pack contains:

Light fitting
Fixing pack
Retaining clip.

The following tools may be required:

Selection of cross and flat head screwdrivers.
Electric drill and assorted drill bits.

These assembly diagrams are intended as a guide – if in doubt consult a qualified electrician.

1. Do not attempt to plug in or use this product until it has been fully assembled. Disconnect from mains during assembly or maintenance.
2. Decide of the position of this light fitting.. Use the backplate (1) as a template to mark the screw holes. Make the screw holes and secure to the wall with appropriate screw fixings (2).
3. Remove the wrapping from the shade and attach the shade (3) to the lamp by removing the shade ring (4) from the lampholder. Place the shade over the lampholder and refit the shade ring. Tighten to secure the shade in place.
4. Install the bulb (5). Do not install a bulb with a greater wattage or different shape than specified on the label.
5. To keep the cable tidy, this product is supplied with a retaining clip. Decide on the cable position. Using the retaining clip (6) as a template mark and drill the position of the fixing holes. Be careful not to damage any wiring or pipes. Place the clip around the cable and fix in place using the supplied screw fixings (7).

IMPORTANT: Children can become entangled in loose cable. Ensure excessive loops of cable are secured against the wall using the fittings supplied. Do not use this product in children's bedrooms.

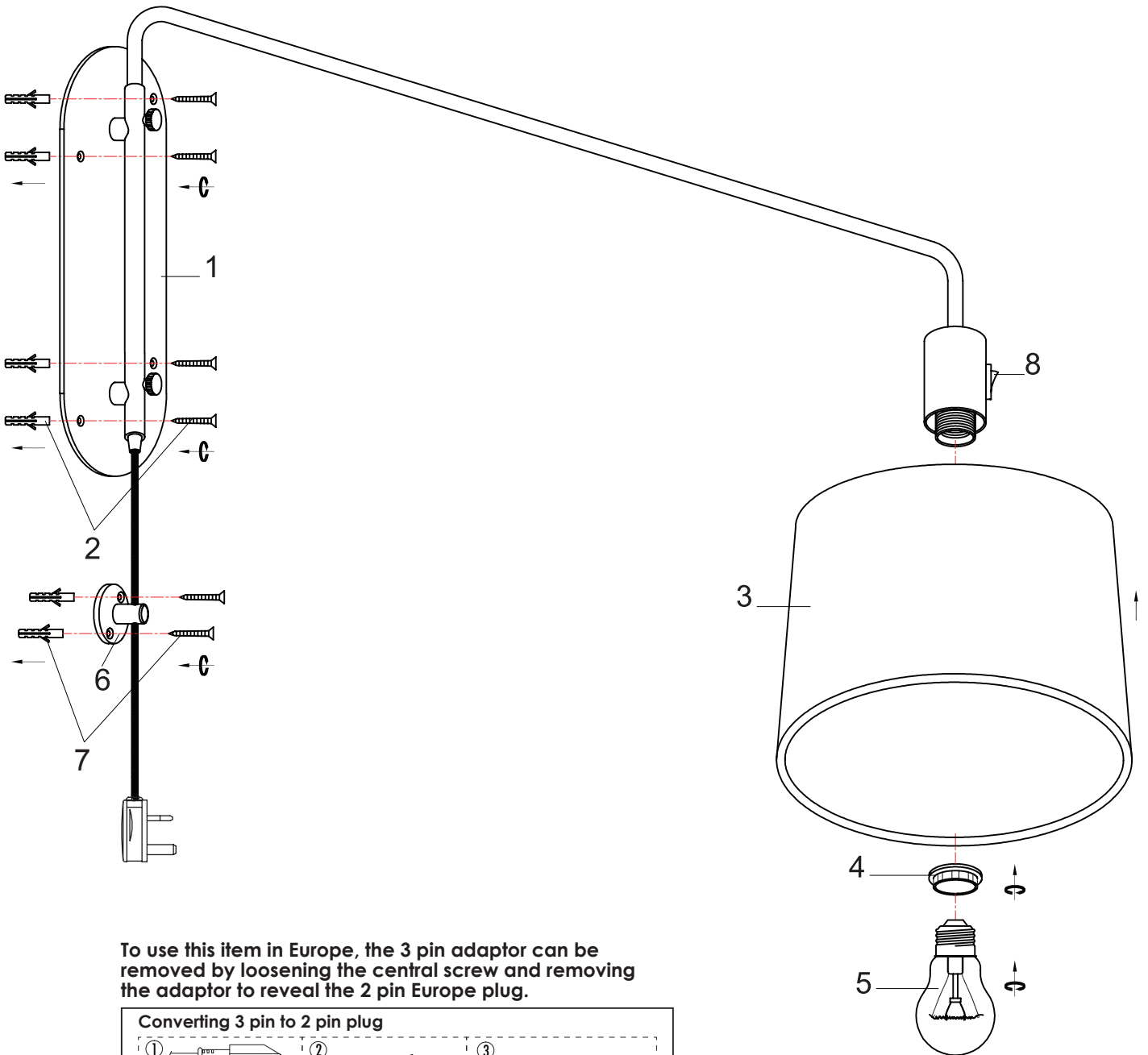
6. Plug in, and operate the lampholder switch (8) to turn your lamp on.

If your lamp will not illuminate, please check the bulb, the 3 amp fuse in the plug and ultimately check the relevant fuse in your Fuse Box. If unsuccessful please consult your Retailer.

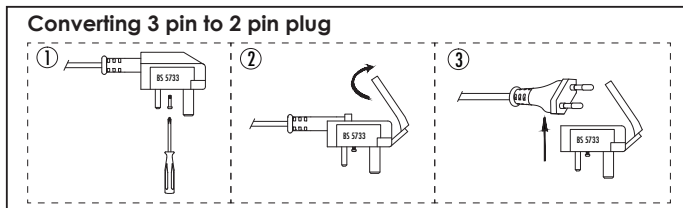


UK Manufacturer: BH17 7BY
EU Manufacturer: Brilliant AG,
Brillantstrasse 1, D-27442 Gnarrenburg

Assembly/ User Instructions Continued



To use this item in Europe, the 3 pin adaptor can be removed by loosening the central screw and removing the adaptor to reveal the 2 pin Europe plug.



- EN Scan QR code for multi-language
- FR Scannez le code QR pour plusieurs langues
- ES Escanee el código QR para varios idiomas
- PL Zeskanuj kod QR dla wielu języków
- DE Scannen Sie den QR-Code nach mehreren Sprachen
- IT Scansiona il codice QR per multilingua



UK Manufacturer: BH17 7BY
 EU Manufacturer: Brilliant AG,
 Brilliantstrasse 1, D-27442 Gnarrenburg