

Pendant

INSTRUCTION MANUAL

Safety Warnings

- This product is only suitable for connection to a 240V~50Hz supply in accordance with current IEE wiring regulations, and should be installed in accordance with local building regulations. It is for indoor use only, and is **not** suitable for a bathroom location.
- Before installing your light fitting always switch off the mains supply, and remove the appropriate fuse or switch off the appropriate circuit breaker before commencing installation. Ensure that no one else has access that would enable the supply to be inadvertently reconnected.
- **This is a Class I product and must be Earthed.** The terminal blocks are supplied according to requirements of the fitting.
- Never fit bulbs of a higher wattage than those specified on the label (as these may cause overheating and damage the fitting)
- If you are in any doubt about your competence please consult a qualified electrician.
- If any modification is made it will invalidate the warranty and may render the product unsafe.

Care Information

Allow 10 minutes to cool before replacing, adjusting or cleaning.
Clean with a dry cloth only. Do not use liquid or abrasive cleaners on this product.

Assembly/ User Instructions

Before you start

Please read these instructions carefully before fitting and retain for reference. Check the packaging and make sure that you have all the required parts. Follow each assembly step in order to prevent incorrect assembly.

The Light pack contains:

Light fitting
Fixing pack

The following tools may be required:

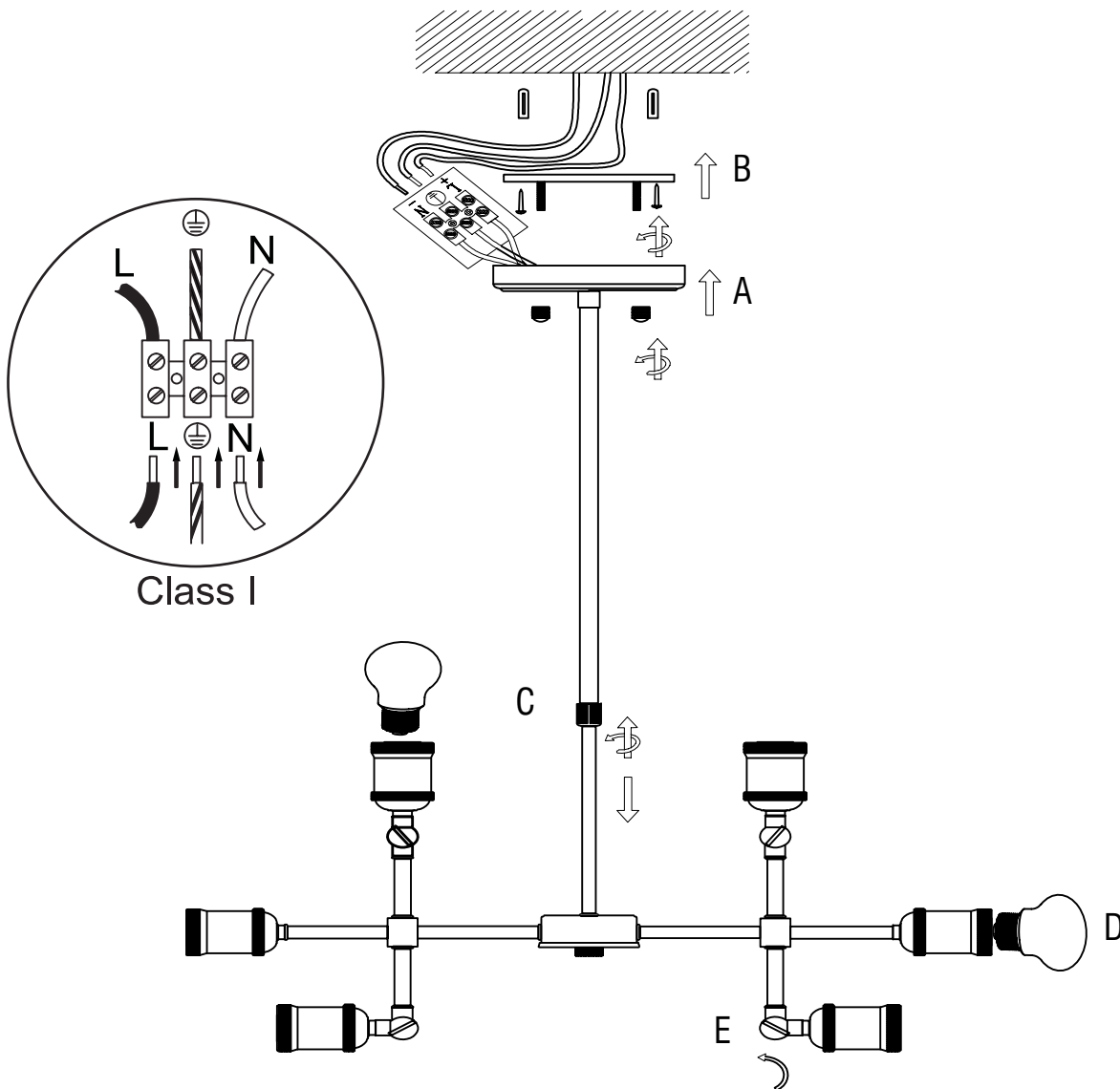
Selection of cross and flat head screwdrivers.
Electric drill and assorted drill bits.
Wire strippers.
Electrical insulation tape

These assembly diagrams are intended as a guide – if in doubt consult a qualified electrician.

1. Decide on the position of the light fitting, or remove existing light fitting. Take a note of the position of the electrical connections. Ensure there is a solid mounting surface, preferably a wooden joist or joist bridge to support the weight of the light fitting.
2. Unscrew the fixing nuts (A) from the ceiling cover and detach the ceiling bracket (B) from the fitting. Keep the fixing nuts safe for refitting later.
3. Attach the ceiling bracket (B) to the ceiling using the screws provided. Ensure there is a joist at the point of fixing to support the weight of the product. Take care to avoid damaging any concealed wiring and pipes.
4. If you want to reduce the overall length of the fitting it is essential that this is done before the fitting is mounted to the ceiling, or connected to the mains supply. Twist the metal cuff (C), and adjust until the desired length is reached. The cable must now be shortened and the excess cable cut and re-connected to the terminal block. **NOTE: The electric cable must always be longer than the stem to prevent strain being placed on the cable. If you are unsure about your ability to do this, we recommend you contact a qualified electrician.**

Assembly/ User Instructions Continued

- Support your fitting and connect the house wiring to the terminal block – see expanded wiring details below. **NOTE: This is a Class I fitting and must be earthed.** Ensure no loose strands are left out of the connection block.
- Place the ceiling cover over the fixing bolts and secure in place by refitting the fixing nuts (A) set aside earlier. Do not overtighten.
- The head is fitted with an adjustable wing nut (E). Loosen the wing nut and move the head to the preferred position and then retighten the nut to secure.
- Fit the bulbs (not supplied-D). **NOTE: Never fit bulbs of a higher wattage than those specified on the label (as these may cause overheating and damage the fitting).**
- Turn on the power and test.



- EN Scan QR code for multi-language
- FR Scannez le code QR pour plusieurs langues
- ES Escanee el código QR para varios idiomas
- PL Zeskanuj kod QR dla wielu języków
- DE Scannen Sie den QR-Code nach mehreren Sprachen
- IT Scansiona il codice QR per multilingua



UK Manufacturer: BH17 7BY
EU Manufacturer: 1 Gnarrenburg, 27442