


Floor Light

INSTRUCTION MANUAL

Safety Warnings

- This product is only suitable for connection to a 220-240V~50Hz supply in accordance with current IEE wiring regulations. It is for indoor use only, and not suitable for a bathroom location.
- If the Class II, double insulated symbol  is on the lamp, it does not require an Earth, and Live or Neutral **must not** be connected to Earth. If there is no such symbol, then the lamp must be Earthed.
- Do not plug into the mains until your lamp is fully assembled.
- Under no circumstances must this lamp be covered with any material as this could pose a safety hazard. It must be used on a stable, flat surface.
- Never fit bulbs of a higher wattage than those specified on the label (as these may cause overheating and damage the fitting).
- The lamp must be protected by a 3 amp fuse in the mains plug.
- If the mains cable becomes damaged it must only be replaced by a technically competent, qualified person.
- If you are in any doubt about your competence please consult a qualified electrician.
- This products may contain delicate parts – be careful during handling and maintenance to avoid breakage.
- If any modification is made it will invalidate the warranty and may render the product unsafe.

Care Information

Allow 10 minutes to cool before replacing, adjusting or cleaning.
Clean with a dry cloth only. Do not use liquid or abrasive cleaners on this product.

Assembly/ User Instructions

Before you start

Please read these instructions carefully before fitting and retain for reference. Check the packaging and make sure that you have all the required parts. Follow each assembly step in order to prevent incorrect assembly. Ensure that the product is fully assembled as illustrated before use.

Please note: While the general steps to assemble your lamp will be the same, your individual product may vary from the diagram.

These assembly diagrams are intended as a guide – if in doubt consult a qualified electrician.

1. Carefully unpack your lamp, and place on a stable, flat surface.
2. Screw together the sections of stem, starting with the top (1) and working down (2). Gently pull through the cable, ensuring it is not trapped or strained. **NOTE:** there may be more than 2 sections.
3. The base may simply affix by screwing to the stem (see Diagram 1 - 3). Ensure the cable does not become twisted or trapped.
4. Alternatively the base may be separate from the base weight, or be affixed with nuts and a spanner (see Diagram 2). In this case, slot the stem into the base (3), with the base pan over it, if appropriate, and secure using the nuts and spanner provided (A). A foam base pad may also be supplied (B).
5. Secure the shade (may not be supplied) (4) with the shade ring (5).
6. Install the bulb(s) (6). **Do not install a bulb with a greater wattage or different shape than specified on the label.**
7. Plug in, and operate the switch to turn your lamp on.

If your lamp will not illuminate, please check the bulb, the 3 amp fuse in the plug and ultimately check the relevant fuse in your fuse box. If unsuccessful please consult your retailer.

Assembly/ User Instructions

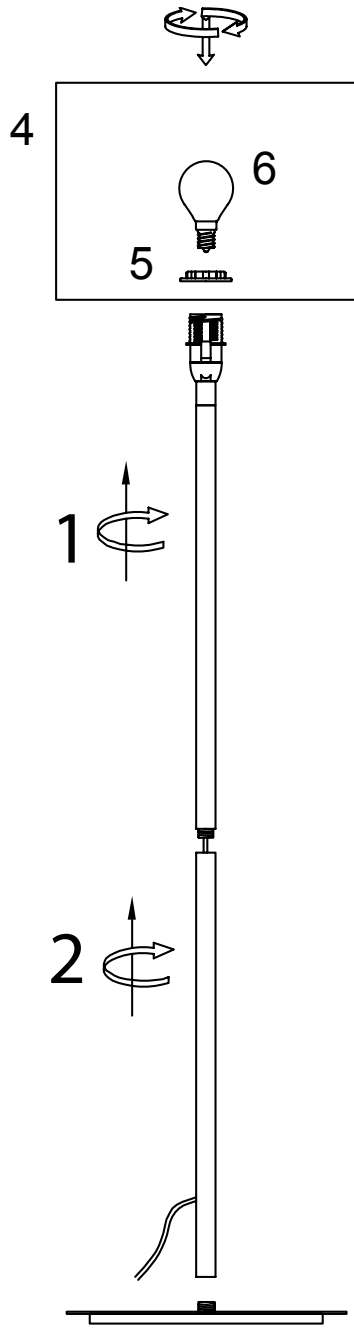


Diagram 1

To use this item in Europe, the 3 pin adaptor can be removed by loosening the central screw and removing the adaptor to reveal the 2 pin Europe plug.

Converting 3 pin to 2 pin plug

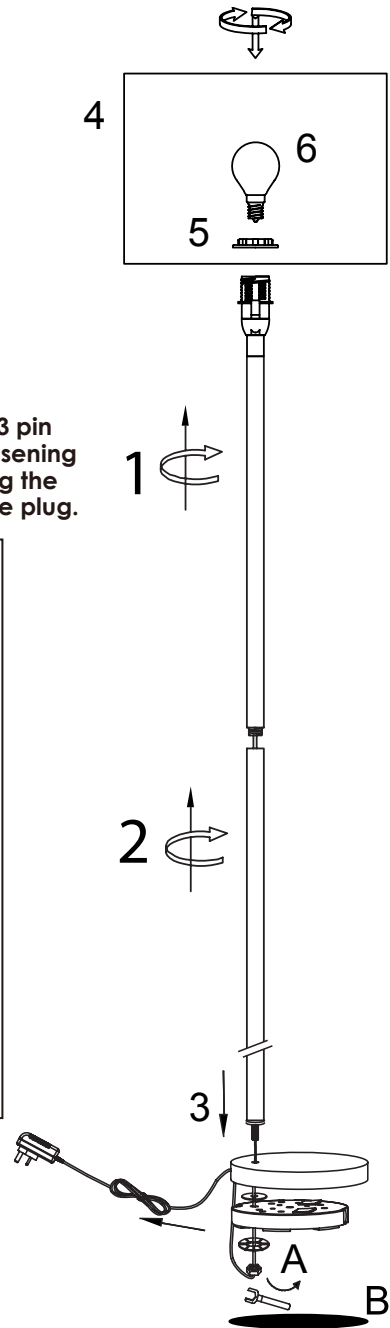
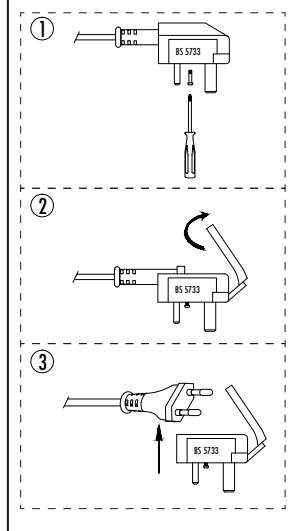


Diagram 2



- EN Scan QR code for multi-language
- FR Scannez le code QR pour plusieurs langues
- ES Escanee el código QR para varios idiomas
- PL Zeskanuj kod QR dla wielu języków
- DE Scannen Sie den QR-Code nach mehreren Sprachen
- IT Scansiona il codice QR per multilingua



UK Manufacturer: BH17 7BY
 EU Manufacturer: Brilliant AG,
 Brilliantstrasse 1, D-27442 Gnarrenburg