

Semi Flush Fitting

INSTRUCTION MANUAL

Safety Warnings

This product is only suitable for connection to a 240V~50Hz supply in accordance with current IEE wiring Regulations and should be installed in accordance with local Building Regulations and is for Domestic indoor ceiling use only - and is not suitable for a Bathroom location.

The light fitting should be connected to a lighting circuit protected by a 5 amp fuse (or a 6 amp miniature circuit breaker).

If in doubt we recommend you contact a qualified electrician. Before installing your light fitting always:

Switch off the mains supply and remove the appropriate fuse or switch off the appropriate circuit breaker before commencing installation.

Ensure that no one else has access that would enable the supply to be inadvertently reconnected.

Never fit bulbs of a higher wattage or of a type other than those specified on the label as this may cause overheating and damage the fitting.

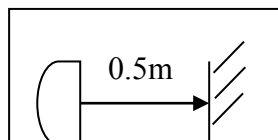
This product contains glass parts – be careful during handling and maintenance to avoid breakage.

The bulbs become hot during use so please switch off and allow 10 minutes to cool before replacing bulbs or cleaning the fitting.

Clean with a dry cloth only. Do not use liquid or abrasive cleaners on this product.

This fitting is heavy and you may require assistance in connecting it to the supply and securing it to the mounting surface.

The “Minimum Distance” Label – typical format shown below – indicates that lighted objects should not be placed within the distance stipulated on the label. The example label below indicates that lighted objects should not be placed within 0.5m (50cm) of the spotlight to prevent them overheating.



If any modification is made it will invalidate the warranty and may render the product unsafe.

Before you start

Please read these instructions carefully before fitting your new light and retain for reference.

Make sure that there are no pipes or cables beneath the mounting surface.

Check the packaging and make sure that you have all the required parts.

Follow each assembly step in order to prevent incorrect assembly.

Make sure all screws / nuts, including electrical connections etc are fully tightened before use.

This type of Light Fitting may be connected to a Dimmer but seek advice before purchase,

The Light pack contains:

Light fitting and mounting bracket.

Terminal connection block(s)

Allen Key.

The following tools may be required:

Selection of cross and flat head screwdrivers.

Electric drill and assorted drill bits.

Wire strippers.

Electrical insulation tape.

Assembly/ User Instructions

These assembly diagrams are intended as a guide – if in doubt consult a qualified electrician.

Diagram A

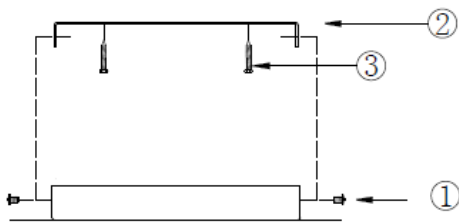


Diagram B

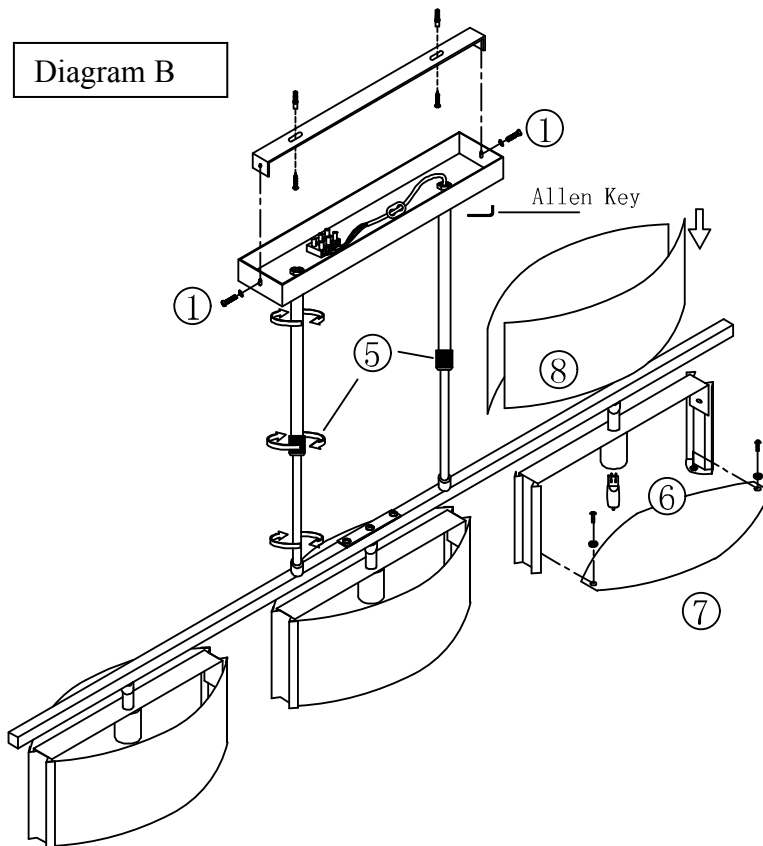
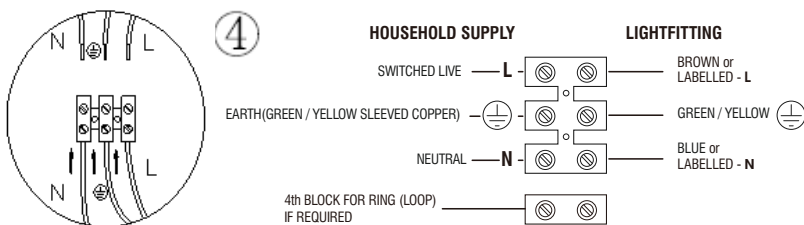


Diagram C

Details of terminal wiring.



1. Decide on the position of the light fitting / or remove existing light fitting. Take a note of the position of the electrical connections. Ensure there is a solid mounting surface, preferably a wooden joist or joist bridge to support the weight of the light fitting.
2. **Diagram A.** Remove the fixing bracket, by undoing the 2 side screws (1), retain these for re-use.
3. Use the fixing bracket (2) as a template to mark the screw holes, mark the screw holes (3) and secure to the ceiling with the screws (3) supplied.
4. **Diagram B.** Please note: It is advisable to determine the length of the fitting before mounting to the ceiling. First secure the stem into the ceiling plate (canopy) and main body, being careful not to twist / damage the internal cables – secure with the Allen Key. By unscrewing the connectors between the 2 stem sections at (5) moving the stem then re-tightening, the length of the stems can be adjusted. Ensure that the connector between the arms is secure.
5. Fit the capsule bulbs (6) into the lamp holders – being careful not to touch the bulbs with your bare hands – use a tissue or cloth to insert them. **NOTE; Never fit bulbs of a higher wattage than those specified on the label (as these may cause overheating and damage the fitting).** Secure the lower glass cover (7) plates onto the supporting arms and then slide the 2 curved glass side covers (8) into the groves on the support arms. **NOTE At times of bulb replacement the curved side glass covers can be removed and the new bulb inserted – there is no need to remove the bottom glass cover.**
6. **Diagram C.** Support your fitting and connect the house wiring to the terminal block (4) – see wiring details. **NOTE: This is a Class I fitting and must be earthed.** The 4th terminal block connector is used for the “loop” wires of the “Ring Circuit”. There may be more than one set of cables in the “loop” connections. If there is a “Ring Circuit” and you do not understand the connections you must consult an electrician. Any loose terminal block – not secured to ceiling cup - should always be covered with 2 layers of good quality insulation tape. Secure the fitting back onto the fixing bracket with the 2 side screws (1), removed in 2 above. Make sure that all the internal cables and connections are inside the ceiling cup taking care not to trap or strain the internal cables.
7. Turn on the power and test.



- (EN) Scan QR code for multi-language
- (FR) Scannez le code QR pour plusieurs langues
- (ES) Escanee el código QR para varios idiomas
- (PL) Zeskanuj kod QR dla wielu języków
- (DE) Scannen Sie den QR-Code nach mehreren Sprachen
- (IT) Scansiona il codice QR per multilingua